

ELECTRONIC CONTROL BOARD (PWA) REPLACEMENT

IMPORTANT: BE SURE THE VALVE CAM INDICATES “SERVICE” POSITION (See Figure 1) WHEN REPLACING THE ELECTRONIC CONTROL BOARD (PWA), TO ASSURE BOTH VALVE AND PWA ARE ORIENTED, OR TIMED, TO THE SAME CYCLE. If the valve is not in Service position, see step 11 below.

NOTE: When installing the electronic control board (PWA) on the faceplate, use care not to twist the circuit board, or force it onto the mounting pegs. Twisting could damage the printed circuits, or break the LED glass.

1. Unplug the Central Water Filtration System’s transformer from electrical power.
2. Remove the top cover to expose the valve.
3. Unplug the wiring connections from the back of the old Electronic Control Board (See Figure 2).
4. Carefully remove the old board by unsnapping it from its retainer tabs.
5. Carefully snap the new Electronic Control Board into the retainer tabs.
6. Reconnect the wiring to the new board (See Figure 2).
7. Plug the transformer into the electrical outlet. A model code and a test number (example: J1.3) begin to flash in the faceplate display. Then, 12:00 PM and the words “PRESENT TIME” begin to flash.

NOTE: If “- - -” shows in the display, press the Δ UP or ∇ DOWN button until “CF 8” shows in the display. Then, press the PROGRAM button to set, and change to the flashing “PRESENT TIME” display.

8. Press the Δ UP or ∇ DOWN buttons to set the present time. Up moves the display ahead; down sets the time back. Be sure AM or PM is correct.

NOTE: Press buttons and quickly release to slowly advance the display. Hold the buttons down for fast advance.

9. Press the PROGRAM button a few times, until the time appears on the display, but is not flashing.
10. For information about programming additional features of the Central Water Filtration System, consult your owner’s manual.
11. If the valve is not in Service position, press the CLEAN button and hold for 3 seconds to start a Clean Rinse cycle. The display will flash “RECHARGE NOW.” In 20 minutes the start up Clean Rinse cycle will be complete and the valve and electronic control board will be properly oriented together. Subsequent Clean Rinse cycles will be for 3 minutes.

If you have questions about installation, call 1-866-986-3223, Monday - Friday, 8 am to 9 pm, EST.

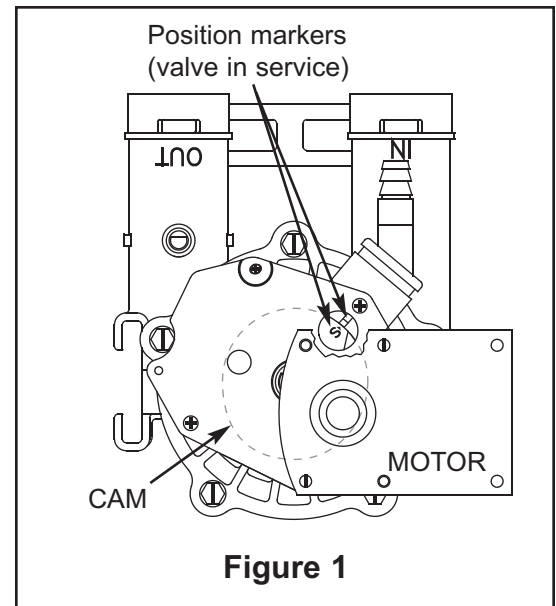


Figure 1

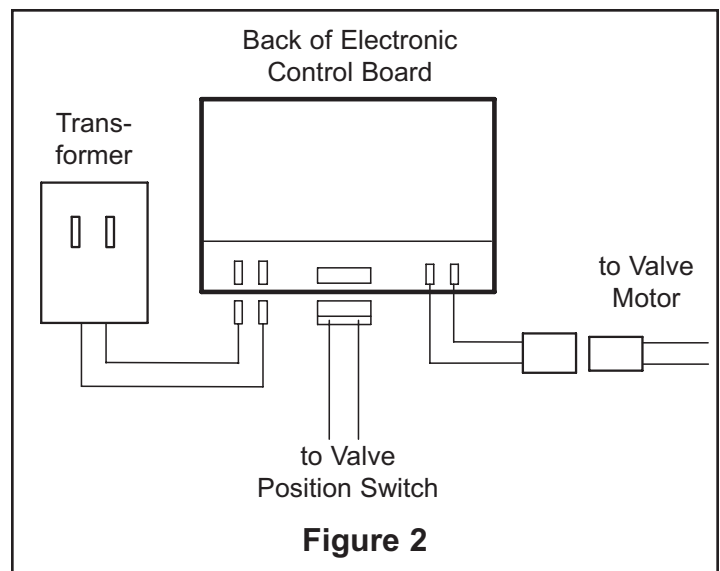


Figure 2

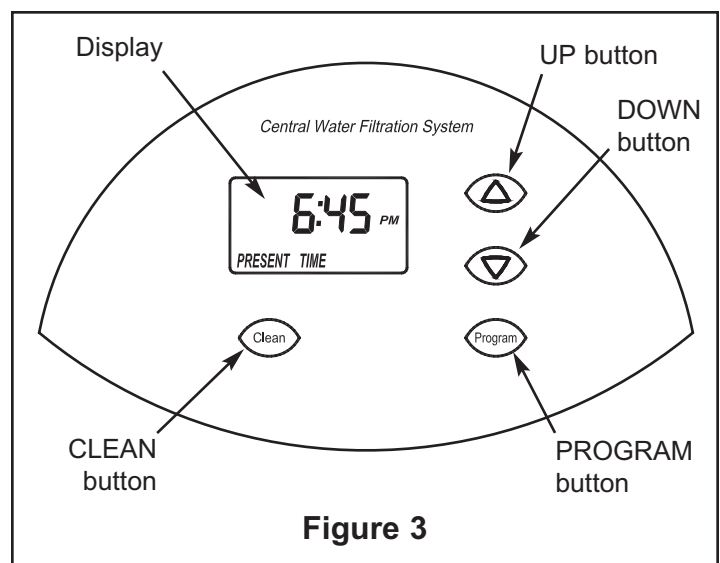


Figure 3