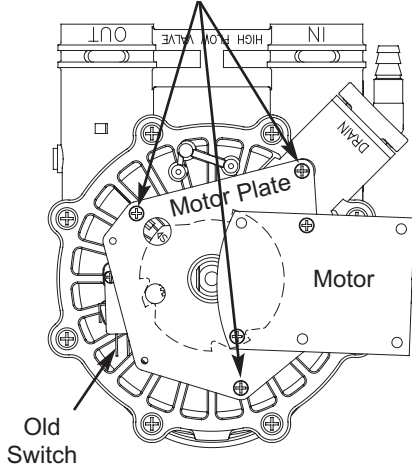


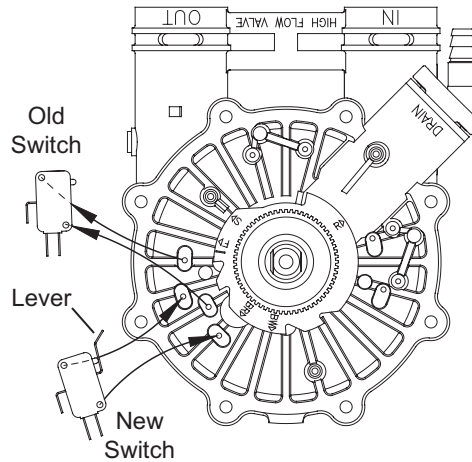
VALVE SWITCH REPLACEMENT INSTRUCTIONS

1. Unplug cable from old switch. Remove screws holding motor plate to top of valve. Set aside screws and motor plate (with motor attached).

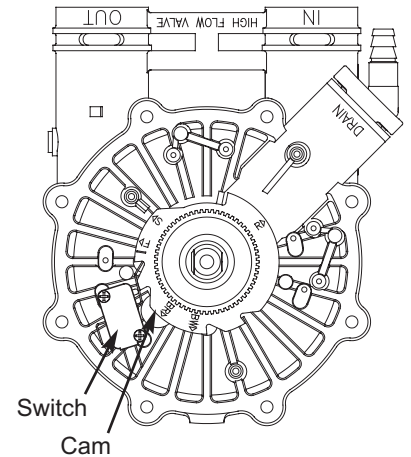
Remove Screws



2. Remove screws holding old switch. Save screws and discard old switch. Install new switch using the same screws. If the old switch did not have a lever, the new switch will be installed in a different spot (see below).



3. Make sure new switch is installed where shown below, with lever toward the cam. Plug cable into switch and reinstall the motor plate (removed in Step 1).

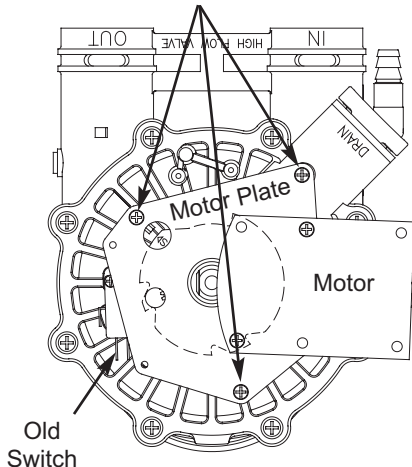


7305142 (Rev. A 7/17/08)

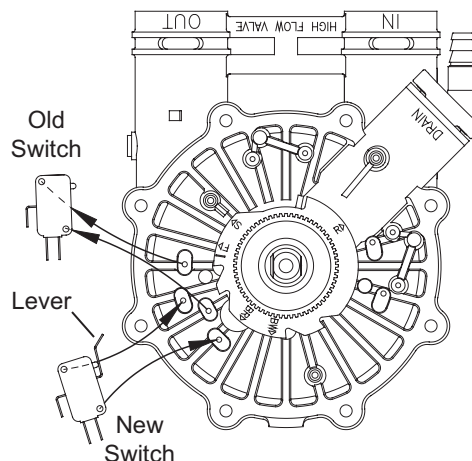
VALVE SWITCH REPLACEMENT INSTRUCTIONS

1. Unplug cable from old switch. Remove screws holding motor plate to top of valve. Set aside screws and motor plate (with motor attached).

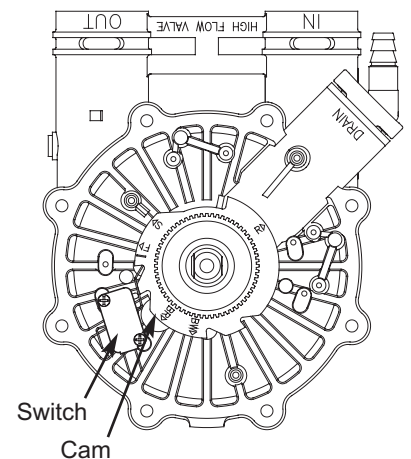
Remove Screws



2. Remove screws holding old switch. Save screws and discard old switch. Install new switch using the same screws. If the old switch did not have a lever, the new switch will be installed in a different spot (see below).



3. Make sure new switch is installed where shown below, with lever toward the cam. Plug cable into switch and reinstall the motor plate (removed in Step 1).



7305142 (Rev. A 7/17/08)